

HA-8 VCA

Modular, 8 stereo channel studio headphone amplifier



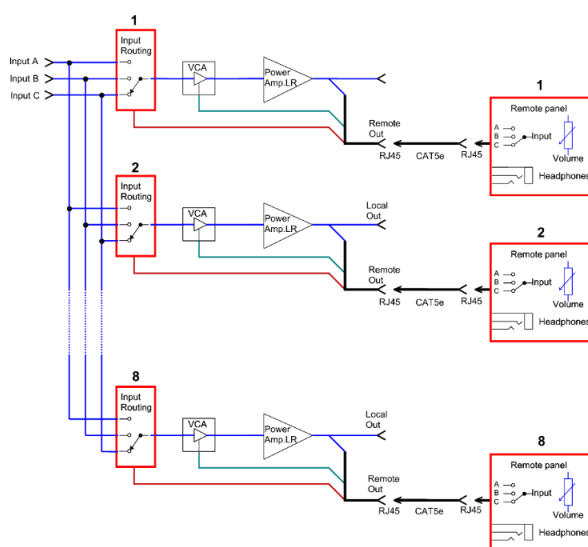
FEATURES

- 3 stereo balanced inputs
- 8 independent headphone outputs
- Local/ remote headphone output
- VCA volume control
- Input selection routing switch
- High power independent to headphone impedance
- High-Fidelity, High-Performance audio amplifier
- includes 8 remote headphone volume control units

ADVANTAGES

- **Modularity**
Device can be adjusted to 1-8 channel / remotes version
- **VCA**
Voltage Control Amplifier
- **Routing**
Switching between 3 line inputs

BLOCK DIAGRAM



SPECIFICATION

AudioResolution HA-8 VCA

Input section

Number of inputs:	3x stereo
Input connector:	6-pin Phoenix
Input sensitivity:	Line level
Nominal input level	0 dBu
Input type:	Analog

Output section

Number of outputs:	8x stereo
Output connector:	3-pin Phoenix (unit) JACK 6,3 stereo (remote)
Remote connector:	RJ45
Output noise level:	-89dB / 0dB gain -92dB /gain at minimum
THD+N:	< 0,03% @15Ω, 1kHz
Output power (THD+N < 1%)	0,9W @15Ω 1,3W @32Ω 0,6W @100Ω 0,1W @600Ω
Frequency response:	20Hz - 20kHz /-0,1dB 10Hz - 100kHz /-0,15dB
Cooling:	Active

Controlling the amp:

Control:	external via remote control panel
Controls:	Input source switching, volume
Volume control:	VCA (Voltage Controlled Amplifier)
Max. lenght of remote cable	25m /*longer cable can negatively affect frequency response and maximum output power
Recomended remote cable AWG:	AWG24 and better

Power

Power supply:	24V DC /5A
---------------	------------

Measurements and weight

Central unit

Height in RU	2RU
Dimmensions HxWxL:	88x480x255 mm
Weight:	5kg

Remote control panel

Dimmensions HxWxL:	95x70x50mm
Weight:	0,2kg