

HA-32 VCA

Portable, 2 routing groups individual stereo headphone amplifier



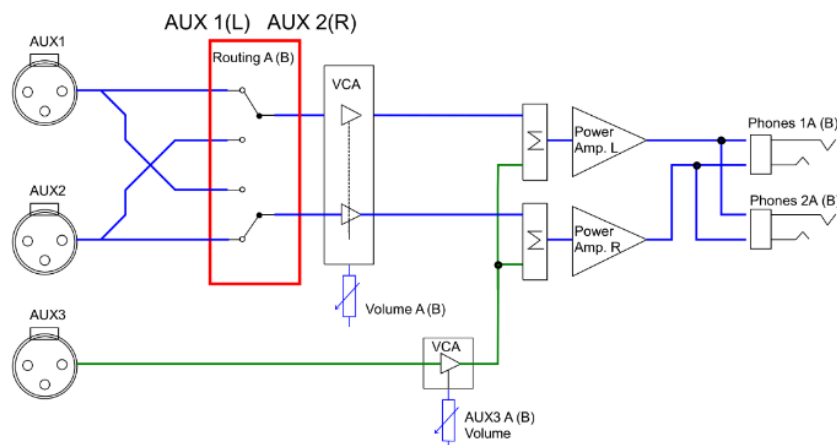
FEATURES

- 3 balanced XLR inputs
- 4 (2+2) headphone outputs
- 2 output groups
- Input routing switch to each output
- 3 routing possibilities (LINE1, LINE2, LINE1+2 stereo)
- Separate LINE3 mix volume
- Heavy duty metal case
- Can be mounted on microphone stand with optional adaptor (e.g. Yamaha BMS10A)

ADVANTAGES

- **Portability**
Flexibility within studio, orchestra by using microphone stand
- **VCA (Voltage Control Amplifier)**
- **Simplicity** – 2 routing groups with 3rd LINE mix-in option

BLOCK DIAGRAMS



SPECIFICATION

AudioResolution HA-32 VCA

Input section

Number of inputs:	3x mono
Input connector:	3-pin XLR
Input sensitivity:	Line level
Nominal input level	0 dBu
Input type:	Analog

Output section

Number of outputs:	2x 2 stereo
Output connector:	JACK 6,3 stereo
Output noise level:	<-85dB
THD+N:	< 0,04% @15Ω, 1kHz
Output power (THD+N < 1%)	0,9W @15Ω 1,3W @32Ω 0,6W @100Ω 0,1W @600Ω
Frequency response:	20Hz - 20kHz /-0,1dB 10Hz - 100kHz /-0,15dB
Cooling:	Passive

Controlling the amp:

Control:	Volume potentiometers
Controls:	Input source switching, volume
Volume control type:	VCA (Voltage Controlled Amplifier)

Power

Power supply:	24V DC /1A
---------------	------------

Measurements and weight

Dimensions HxWxL:	55x220x175 mm
Weight:	1,6kg